

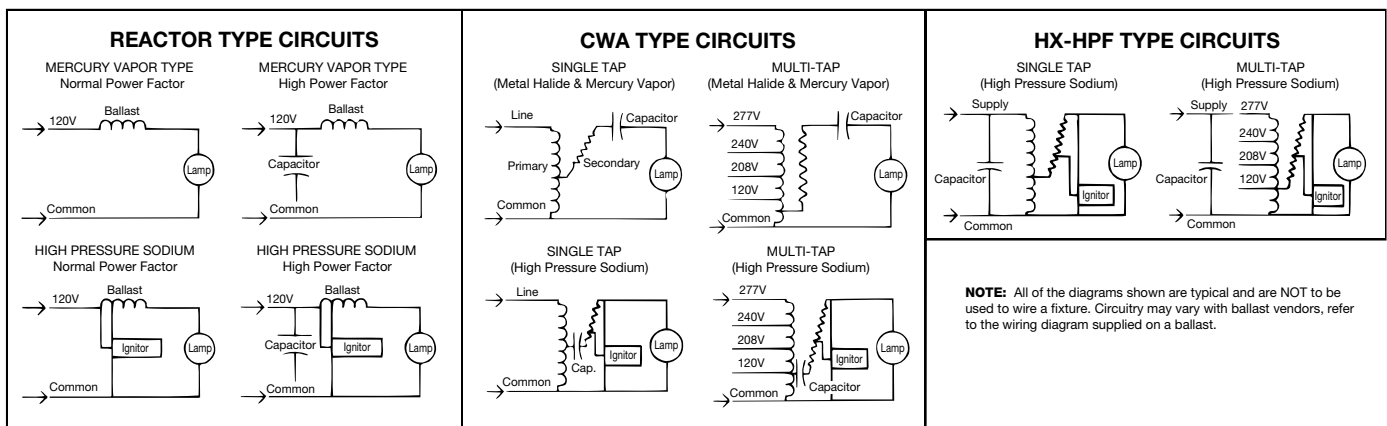
## IES LIGHTING LEVELS

APPLICATION	FOOTCANDLE LEVEL
<b>ASSEMBLY</b>	
Rough easy seeing	.30
Rough difficult seeing	.50
Medium	.100
Fine	.500★
Extra Find	1000★
<b>AUDITORIUMS</b>	
Social Activities	.5
Assembly only	.15
Exhibitions	.30
<b>BASKETBALL</b>	
Regulation	.50
Recreation	.30
<b>DEPOTS, TERMINALS, STATIONS</b>	
Concourse	.10
Platforms	.20
Waiting, Restrooms	.30
Baggage	.50
Ticket Counter	.100
<b>FOUNDRIES</b>	
Annealing furnaces	.30
Cleaning	.30
Core making	.100
Inspection	
Fine	.500
Medium	.100
Molding	.100
Pouring, sorting	.50
<b>GARAGES—MOTOR VEHICLES</b>	
Storage	.5
Traffic Lanes	
Parking garage	.10
Service garage	.20
Entrances	.50
Repair Area	.100
<b>GYMNASIUMS</b>	
Assemblies	.10
General exercise & recreation	.30
Exhibitions, matches	.50
<b>HOCKEY, ICE</b>	
Professional	.100-200
Amateur	.50
Recreation	.20
<b>MACHINE SHOPS</b>	
Rough bench	.50
Medium bench, rough grinding, buffing	.100
<b>MATERIALS HANDLING</b>	
Loading, trucking	.20
Picking stock, classifying	.30
Wrapping, packing, labeling	.50
<b>OFFICES</b>	
Corridors, stairways	.20①
Reading, transcribing	.70
Regular office work	.100
Accounting, auditing, tabulating, machine op, rough drafting	.150
Cartography, designing, detailed drafting	.200
<b>STORES</b>	
Circulation area, stockroom	.30
Merchandising, serviced	.100
Merchandising—self service	.200

APPLICATION	FOOTCANDLE LEVEL
<b>TENNIS</b>	
Regulation	.40
Recreation	.30
<b>TESTING</b>	
General	.50
<b>WAREHOUSING, STORAGE</b>	
Inactive	.5
Active	
Rough, bulky	.10
Medium	.20
Fine	.50
<b>BUILDING (CONSTRUCTION)</b>	
General construction	.10
Excavation work	.2
<b>BUILDING EXTERIORS</b>	
Entrances	
Active (pedestrian and/or conveyance	.5
Inactive (normally locked, infrequently used)	.1
Vital locations or structures	.5
Building surrounds	.1
<b>BUILDINGS AND MONUMENTS, FLOODLIGHTED</b>	
Bright surroundings	
Light surroundings	.15
Medium light surfaces	.20
Medium dark surfaces	.30
Dark surfaces	.50
Dark surroundings	
Light surfaces	.5
Medium light surfaces	.10
Medium dark surfaces	.15
Dark surfaces	.20
<b>BULLETIN AND POSTER BOARDS</b>	
Bright surroundings	
Light surfaces	.50
Dark surfaces	.100
Dark surroundings	
Light surfaces	.20
Dark surfaces	.50
<b>GARDENS</b>	
General lighting	.05
Path, steps, away from house	.1
Backgrounds—fences, walls, trees, shrubbery	.2
Flower beds, rock gardens	.5
Trees, shrubbery, when emphasized	.5
Focal points, large	.10
Focal points, small	.20
<b>LOADING AND UNLOADING PLATFORMS</b>	
Freight car interiors	.20
<b>PARKING AREAS</b>	
Self-parking area	.1
Attendant parking area	.2
<b>STORAGE YARDS</b>	
Active	.20
Inactive	.1

★Obtained with a combination of general lighting plus specialized supplementary lighting.  
 ①Or not less than 1/5 the level in adjacent areas.

## HID BALLAST CHARTS



**NOTE:** All of the diagrams shown are typical and are NOT to be used to wire a fixture. Circuitry may vary with ballast vendors, refer to the wiring diagram supplied on a ballast.

APPLICATION GUIDE

APPLICATION	SUGGESTED PRODUCT SERIES							
OFFICE LIGHTING (GRID CEILING)	22RDI	24RDI	22GP	24GP	22D3	24D3		
WAREHOUSE LTG	MBH	WBH	MBG	WBG	TSN	TSW	RH	RT
AISLE LIGHTING	MBL	TSN	TSW	SCF	SCN	MBA		
SIGN LIGHTING		OD	TLX	PARA				
FAÇADE LIGHTING	PARA	FPS	FPM	FPL				
SPORTSLIGHTING	SCTII							
ACCENT LTG	FPS	FPM	FPL					
OUTDOOR INDIRECT	FPS	FPM	FPL					
WASHROOMS	BRW	ACB	AWB					
CLASSROOMS (RECESSED)	22GP	24GP						
CLASSROOMS (SURFACE)	NLT	SBT	SGWA					
INDOOR PARKING	LPQ	LCQ	MSC	SCF	SCN			
SERVICE BAYS	MBL	WBL	TSN	TSW				
ASSEMBLY AREAS	MBH	WBH	TSN	TSW	RN	RH	RT	
RECEIVING	MBH	WBH	TSN	TSW	RN	RH	RT	
TENNIS COURTS	MCL							
NEW CAR LOTS	MCL	LCL	SPH	SPV	SVL			
PARKING LOTS	MCL	LCL	SPH	SPV	SVL	SVLT	SLM	FPS
FLAG POLES (UNDER 15')	150L	40L	L38BZ	SLA	FPS	TLX		
FLAG POLES (OVER 15')	SLA	5600EVS	6400EVS	SCTII				
STAIRWELLS	VCXL	VWXL	SRW	BRW	SWB			
GYMS	TSN	TSW	MBH	MBL	WBH	WBL		
AUDITORIUMS	TSN	TSW						
PATHWAY	L40							
ASSEMBLY TASK	C	SCN	SCF	NLT	SL	SLP	CU	
UNDERCABS	SLP	SL	CU	SFP				
OFFICE TASK	SLP	SFP	SL	CU				
COVES	STG	MSC						
CORRIDORS	DLT							
DOCKS	DCF	DC40						
ENCLOSED WALKWAYS	TLC							
GAS STATION CANOPIES (DIRECT)	SCL							
GAS STATION CANOPIES (INDIRECT)	FPM	FPL						
PERIMETER	LPS	LPM	LPL	WPM	WP	FPM	FPL	
TEMPORARY	SSCII	DLITES	ELITES	VXC				
PORTABLE	EQP	EQT						